

COLUMN TYPE MODULAR SOLAR CARPORT



Customized Size



Modern design








Quick assembly



Water Channel System

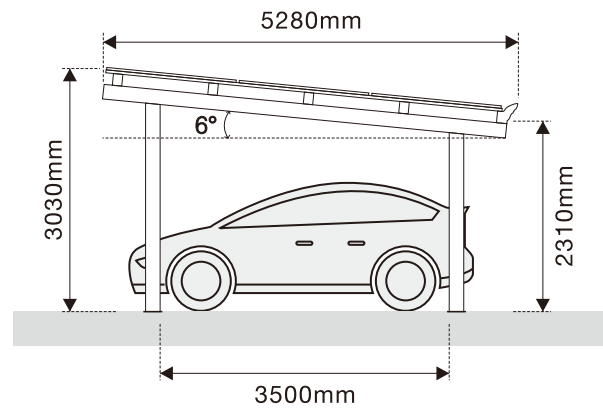
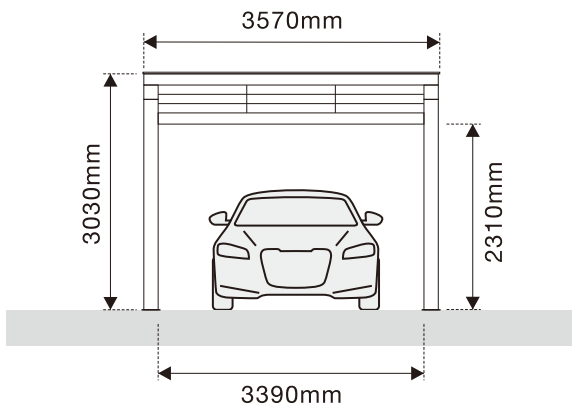


Easy Cleaning

location	Outdoor
In the package contain	<ul style="list-style-type: none"> • The aluminum frame structure is made of four open sides and one slightly pitched roof made of solar modules. • Substructure for solar modules • incl. rain gutter and downpipe
 Roof pitch	6°
 Snow load	1.1 kN/m ²
 Wind load	27.5 M/S
 Module	<p>Up to 9 modules (1,722mm x 1,134mm x 30mm)</p> <p>Module power of 440 Wp</p> <p>Total power 3.96 kWp</p>
 Color	RAL7016 Anthracite grey

Detailed Dimensions

A parking lot with 1 parking spaces



Solar Panel Installation Diagram

